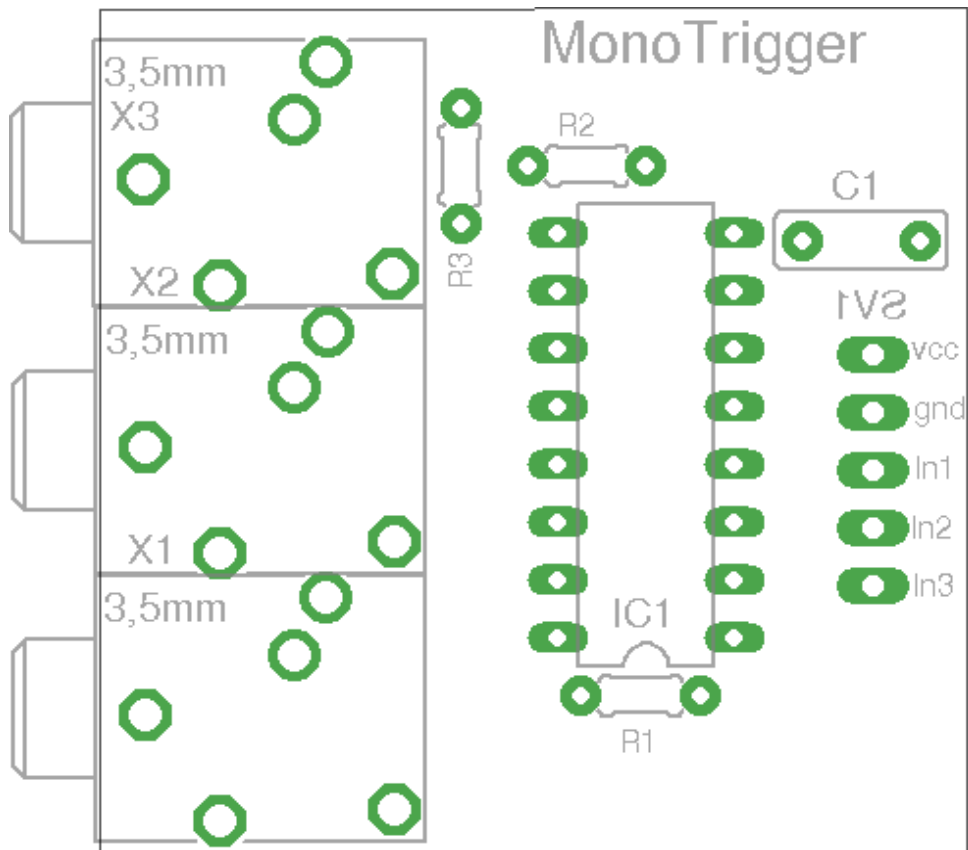


MONOTRIGGER

Monotrigger

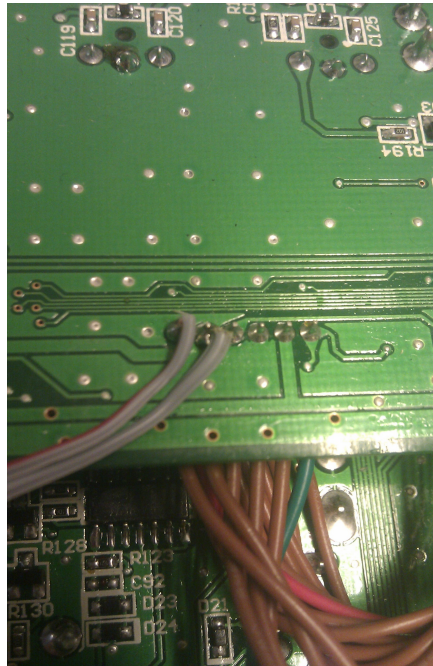
Components

IC1	4050	(Mind Polarity)
R1, R2, R3	1k	
C1	100nF	



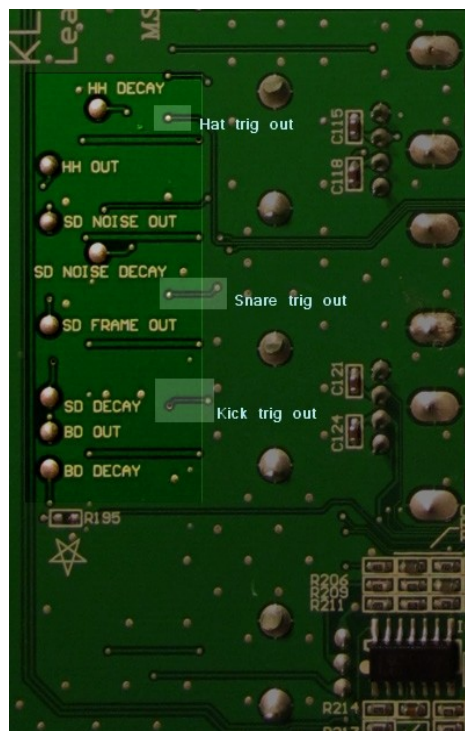
Power connection.

To Get proper trigger values, you can get Vcc from monotribe's input. See pinout from connector's board in this picture. Cable with Red stripe (left) is VCC. Grey one (right) GND



Trigger points

Connect In1, In2 and In3 to following points in Monotribe's board.



Pic by Darenger

For further details and information check this forum thread:

<http://www.muffwiggler.com/forum/viewtopic.php?t=60029&start=0&postdays=0&postorder=asc&highlight=&sid=d0baac0d5623f03a91feaa66301c1aef>

NO RIGHTS RESERVED. All kudos to all muffwiggler users involved. Specially Darenger.



This design is Made by Humans